



CAPS PM_{ex} Monitor

*Accurate and Precise
Continuous Monitoring of
Particle Optical Extinction.*



APPLICATIONS

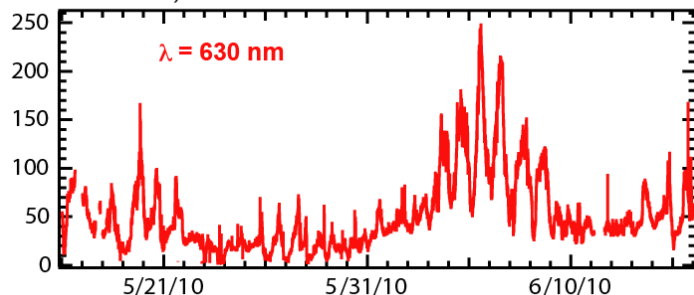
- Visible (red, green or blue) measurement of particle optical extinction using patented Cavity Attenuated Phase Shift technology.
- Measurement of ambient optical extinctions at the 1 Mm⁻¹ level.
- Climate Change Research Optical Properties Closure.
- Roadside Monitoring.
- Combustion Plume Analysis.
- Aircraft Engine Exhaust Monitoring.

ADVANTAGES

- Choice of 1 of 5 Wavelengths:

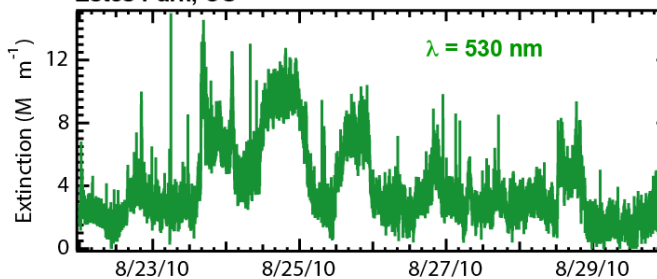
Blue	(450 nm)
Green	(525 nm)
Red	(630 nm)
Far Red	(660 nm)
Near IR	(780 nm)
- No calibration required.
- Autonomous Operation:
No Zero Air.
Automated Background Subtraction.
- Linear Response (0 - 4000 Mm⁻¹).
- Maintenance-Free.

Pasadena, CA



Measured particle extinction at 630 nm in Pasadena, CA during the CalNex campaign shown as 1 hour average values. Note the diurnal variation in extinction levels.

Estes Park, CO



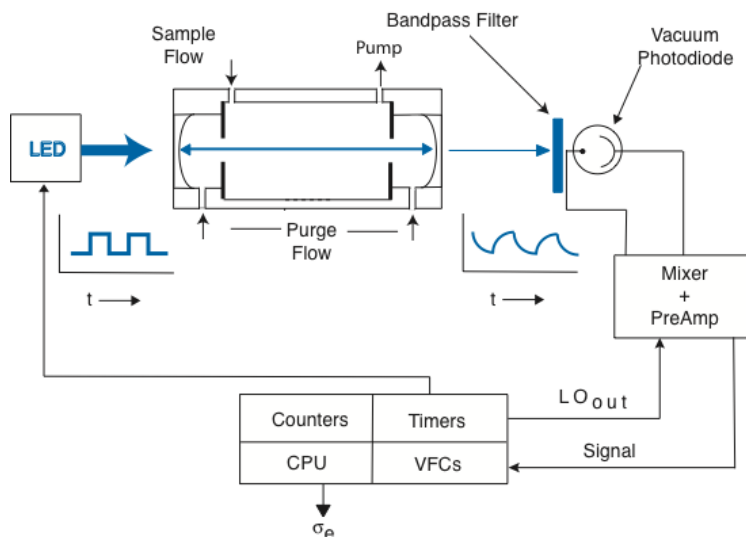
Measured particle extinction at 532 nm outside of Estes Park, CO shown as 1 minute averages. Note the low levels of ambient particle extinction. The spikes are particulate emissions from passing vehicles.



CAPS PM_{ex} Monitor

SPECIFICATIONS:

Sensitivity (S/N =3):	2.5 Mm ⁻¹ (1 s), 0.25 Mm ⁻¹ (60 s)
Response Time (10-90%):	< 2 s
Sample Flow:	0.85 l min ⁻¹ (volumetric flow)
Operating Pressure:	Ambient
Materials Exposed to Sample:	Conductive Urethane, Stainless Steel, Conductive Silicone, and Aluminum
Data Output:	RS-232, USB, Ethernet (Data Acquisition Program Included) On-board Data Storage (6 GB) Front Panel Display
Size/Weight:	Rack mount, 19" x 24" x 9.06", 25 lbs. [61 cm x 43 cm x 23 cm, 12 kg]
Electric Power:	50 W; 100-250 VAC (50-60 Hz)



REFERENCES

"Aerosol light extinction measurements by Cavity Attenuated Phase Shift Spectroscopy (CAPS): laboratory validation and field deployment of a compact aerosol extinction monitor," P.Massoli, P. Kebabian, T. Onasch, F. Hills, and A. Freedman, *Aerosol Sci. Technol.*, 44:428–435 (2010).

"System and method for trace species detection using cavity attenuated phase shift spectroscopy with an incoherent light source", P.L. Kebabian and A. Freedman, U.S. Patent No. 7301639 (issued November 27, 2007).

"Optical Extinction Monitor Using CW Cavity Enhanced Detection", P.L. Kebabian, W.A. Robinson and A. Freedman, *Rev. Sci. Instrum.*, 78, 063102 (2007).

"Intercomparison of a Cavity Attenuated Phase Shift-based extinction monitor (CAPS PM_{ex}) with an integrating nephelometer and a filter-based absorption monitor", A. Petzold, T. Onasch, P. Kebabian and A. Freedman, *Atmos. Meas. Tech.*, 6:1141–1151 (2013).